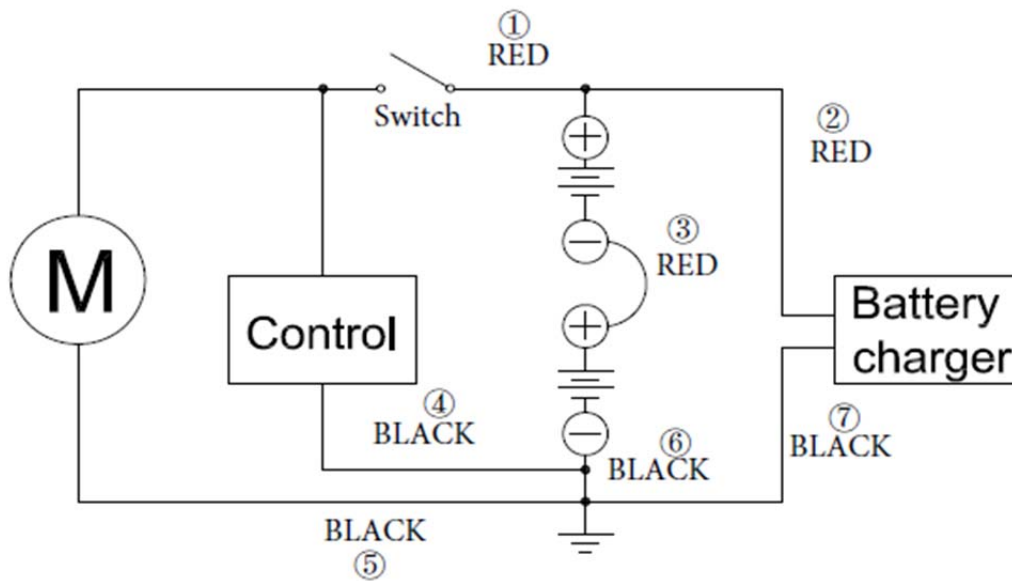


FCH4 Battery Wiring Diagram



Each column needs two batteries, each battery has one anode “+” and one cathode “-”.

- ① Red, connect switch to first battery anode “+”;
- ② Red, connect battery charger to first battery anode “+”;



- ③ Red, connect first battery cathode “-” with second battery anode “+”;



- ④ Black with fuse, connect control panel to second cathode “-”;
- ⑤ Black, connect motor to second cathode “-”;
- ⑥ Black, connect second cathode “-” to ground;
- ⑦ Black, connect battery charger to second cathode “-”.



